

SD0046

# 46oz. Manual Bulk Liquid Soap Dispenser



## FEATURES



- Dispenses approximately .4mL of soap per push
- Made from impact resistant plastic
- Long lasting pump
- With a translucent cover, soap is always visible
- Smooth, curved design prevents user from resting objects on unit
- ADA Compliant

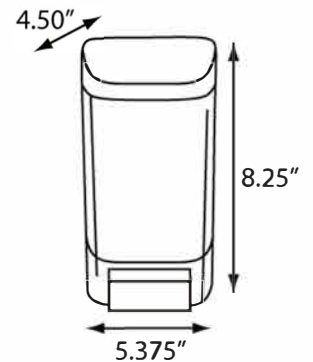
## AVAILABLE COLORS

Dark Translucent



## SPECIFICATIONS

Model #	SD0046-01 (Dark Translucent)
Dimensions	5.375"W x 8.25"H x 4.50"D
Weight	1.15 lbs each
Case Pack	12 per case - 1.77' <sup>3</sup>
Capacity	46oz Liquid Soap



**1ST  
LAYD**